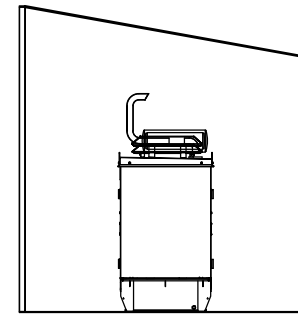
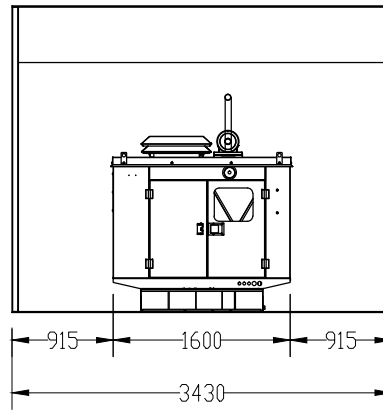
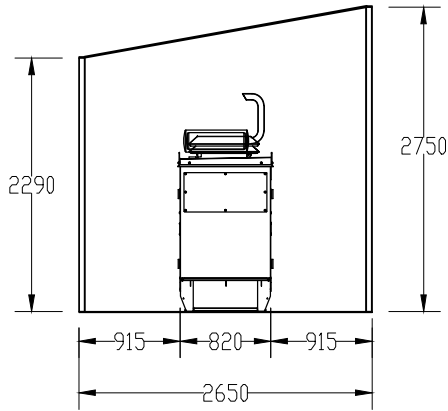
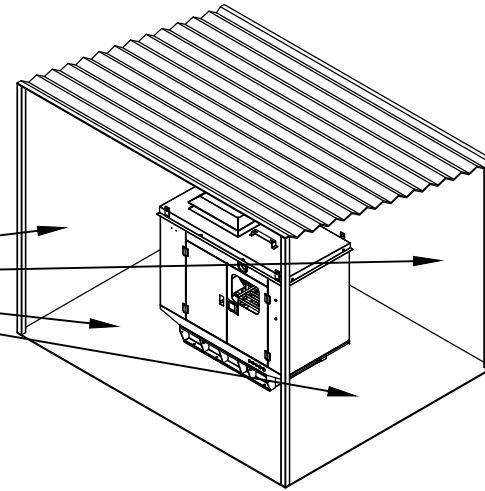


This Drawing & Information or descriptive matter set hereon are confidential property of Green fields enterprises. & must not be disclosed ,copied or used for manufacturing tendering or any other purpose without their written permission.

All sides to be kept open



Power Delivered

INDUSTRIAL EQUIPMENTS COMPANY

CORPORATE OFFICE
 SCO-36, SECTOR-26, MADHYA MARG
 CHANDIGARH - 160026, (INDIA)
 TEL:0172-4374444 FAX: 0172-4374466

CUSTOMER:-

CONSULTANT:-

PROJECT:
 CCTNS - U.P.

CLIENT:-
 NIIT

DRN.

CB

REVISION

DATE

21-07-14

CHD.

APPRD

GENERAL ARRANGEMENT
 DRAWING
FOR
5KVA DG Set.
(Open SHED Arrangement)

DWG. NO.

SHEET: 1 OF 1